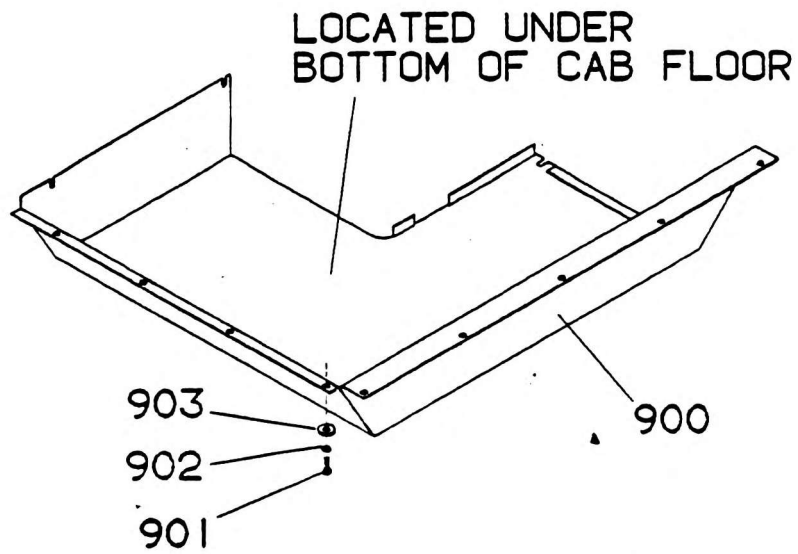


# BOTTOM COVER INSTALLATION

GROVE



NO.	PART NO.	QTY	DESCRIPTION	NO.	PART NO.	QTY	DESCRIPTION
900	4-170-4-00082	1	COVER, BOTTOM				
901	7-112-140650	1	BOLT, HEX. 1/4"-20 NC X 3/4" - GRD 2				
902	7-950-140050	1	LOCKWASHER 1/4" REG				
903	7-950-140141	1	WASHER 1/4" NARROW				